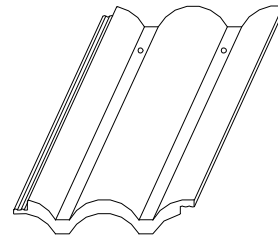
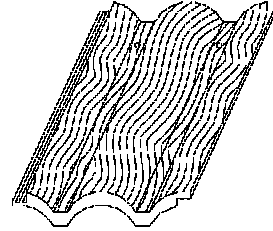


VANDE HEY RALEIGH STANDARD WEIGHT CONCRETE HIGH BARREL SPANISH TILE

The Spanish style was specially created to recall the majestic villas of Europe and provide the charm of old Mexico.



The Spanish tile with brushed surface provides an aging effect to an already distinctive style.



TECHNICAL DATA

<u>DIMENSIONS</u>	<u>TILE PER SQUARE WITH 3" HEADLAP</u>	<u>EXPOSURE PERTILE</u>	<u>APPROX POUNDS PERSQ</u>	<u>APPROX KGS PER SQMETER</u>	<u>APPROX SQS PER PALLET</u>
17¼" X 13"	86	14" X 12"	1000	47.6	2.65

15 pallets per 48 ft truck (40 sq plus trim tile); approximate weight: 45,800 lbs

High Barrel Tile are tested in accordance with and exceed minimums for strength, water absorption, freeze-thaw, dimensions and installed weight for the following code agencies:

- | | | |
|---|--------|-----------------------|
| ◇ Miami-Dade County NOA No.: 07-0525.05, Expires 10/10/12 | ◇ ASTM | ◇ IRC |
| ◇ ICC ES Number ESR-1759 | ◇ UBC | ◇ SBCCI |
| ◇ Florida Building Code #FL6021.2 | ◇ IBC | ◇ City of Los Angeles |
| ◇ Standard of Canada CAN/CSA-A220 | | |

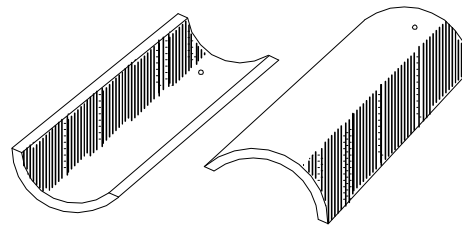
Minimum Slope: 3:12 in the sun belt; 4:12 in severe weather areas. On roofs below minimum slope, tile is for cosmetic purposes only—a complete flat roof system must be installed under the tile.

Laying Pattern: Straight or half joint

- | | |
|--------------------------------------|--|
| – Wind Resistance: See Figure 46. | – Minimizes ice damming. |
| – Withstands one inch diameter hail. | – Class A noncombustible fire rating. |
| – Iron oxide coloring throughout. | – Has an extended life expectancy complete with 50 year limited warranty. Copy available upon request. |
| – Normal efflorescence may occur. | |

VANDE HEY RALEIGH SPANISH PANS AND COVERS

Pans and covers are also available in additional tapered sizes to be installed on turrets and curved roofs. (See Page 19)



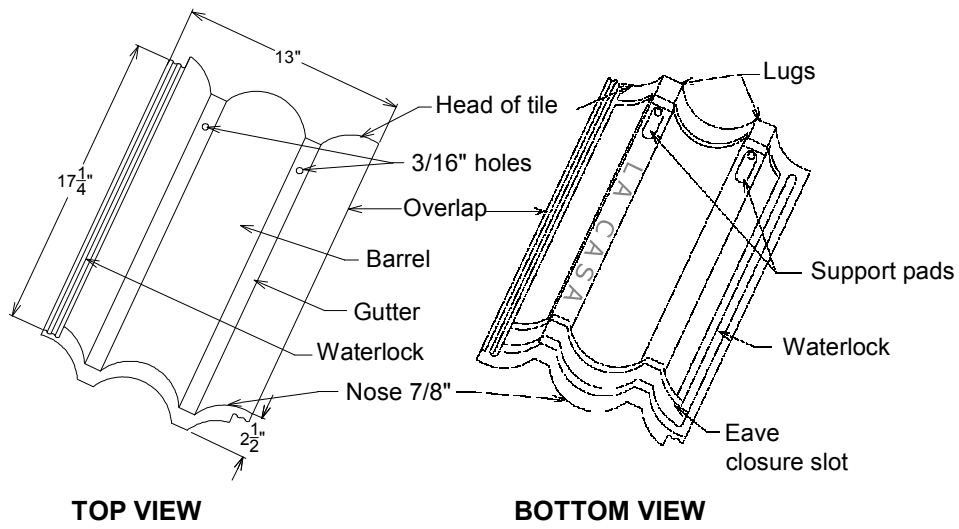
PAN (SFP)

COVER (HRSC)

TECHNICAL DATA

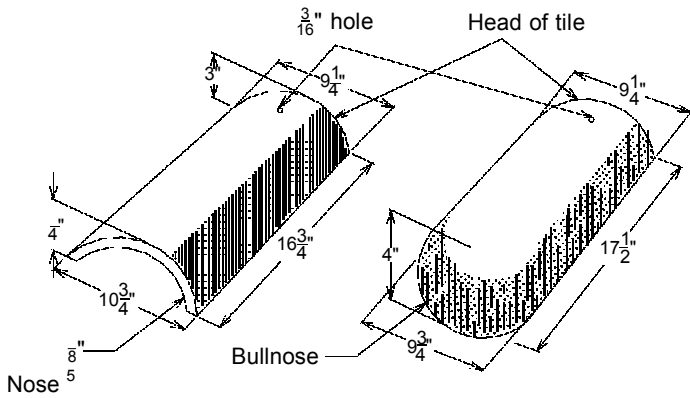
<u>DIMENSIONS</u>	<u>PAN PLUS COVER PER SQUARE WITH 3" HEADLAP</u>	<u>PAN PLUS COVER EXPOSURE</u>	<u>APPROX POUNDS PERSQ</u>	<u>APPROX KGS PER SQMETER</u>	<u>APPROX SQS PER PALLET</u>
Pan 16¾"x9¼"	75	13 ¾"x14"	1600	73.0	.9
Cover 16¾"x10¾"	75				

Note: Number of pieces per square and weight per square for turret applications depend on the radius of the turret.



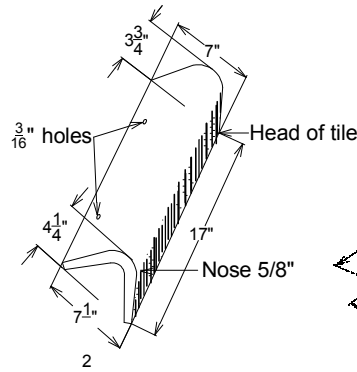
TOP VIEW

BOTTOM VIEW

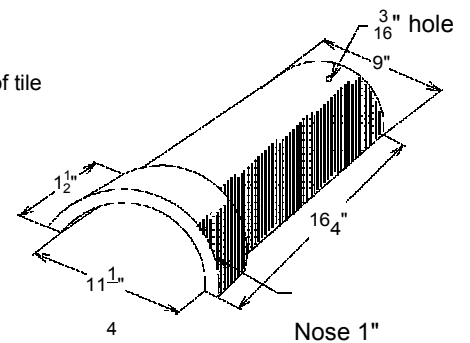


HIP/RIDGE TRIM (HRS)

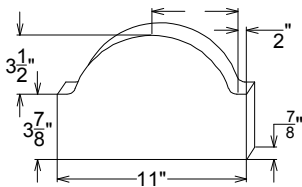
HIP STARTER (HSS)



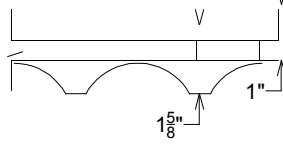
RAKE TRIM (RS)



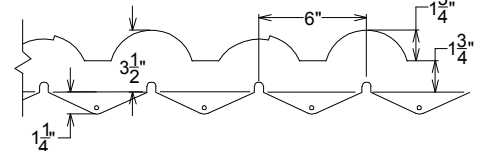
HIP/RIDGE TRIM/COVER HIGH PROFILE (HRSH)



END CAP (ECS)

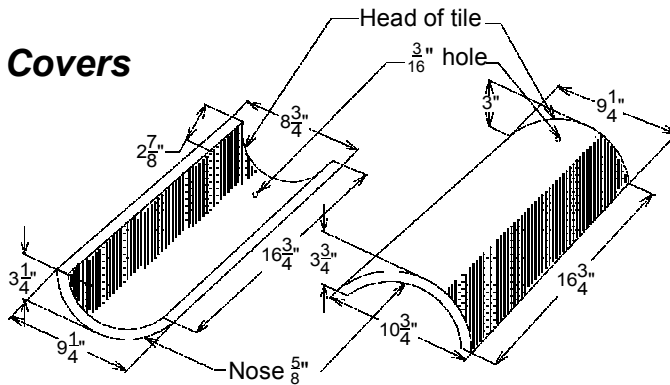


METAL RIDGE CLOSURE (VR350237)



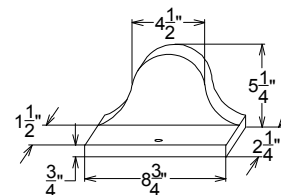
METAL EAVE CLOSURE (VR350711) (BACK SIDE)

Pans & Covers



FIELD PAN (SFP)

FIELD COVER (HRSC)



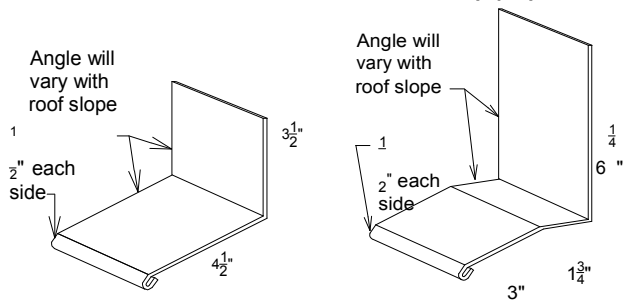
COVER EAVE CLOSURE (SFE) (BACK SIDE)

FIGURE 1. NOMENCLATURE OF HIGH BARREL SPANISH TILE AND PANS/COVERS

2a. ANGLE (HEADWALL) FLASHING (9" or 12" girth)

Over ridge closures at headwalls and at the front of chimneys or skylights.

ANGL (9" cpr-VR320584, 12" Cpr-VR320127, 9-12" Alm-VR310903) (∠)



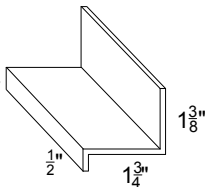
NOTE: The 9" flashing is used on roofs with slopes below 9:12; 12" flashing is used on roofs with slopes 9:12 and above.

2b. BAT STOP FLASHING (3-9/16" girth)

Used in areas where bats reside.

(Painted aluminum/steel)

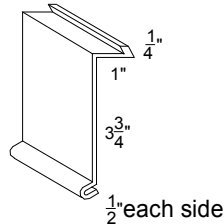
BAT STOP SP (VR310244)



2c. COUNTER FLASHING (6" girth)

At brick or masonry walls.

CNTR 6 (VR320339)

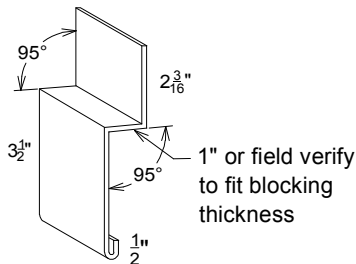


2d. STUCCO COUNTER FLASHING (7-3/16" girth)

At stucco walls with new construction.

CNTR 7-3/16

STUCCO (VR320587)



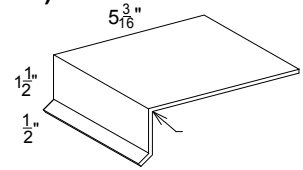
2e. EAVE METAL (7-3/16" girth)

New construction

or reroof. **EAVE**

(Cpr-VR320104,

Alm-VR310416) (E)



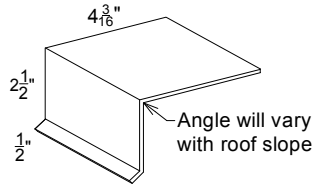
2f. GUTTER EAVE METAL (7-3/16" girth)

Used with gutters.

EAVE GUTTER

(Cpr-VR320421,

Alm-VR320422) (E)



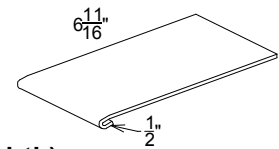
2g. FLAT ROOF EAVE METAL (7-3/16" girth)

Where the bottom row of tile meets flat roof.

FLAT ROOF EAVE

(Cpr-VR320749,

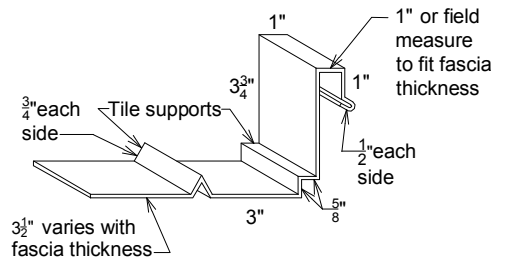
Alm-VR310750) (FE)



2h. GABLE FLASHING (16" girth)

In place of rake trim on regular gables.

GBL WO/R (VR320530) (G-Yellow)



2i. FLYING GABLE FLASHING (18" girth)

On flying gables.

GBL FLYING (VR320532) (G-Yellow)

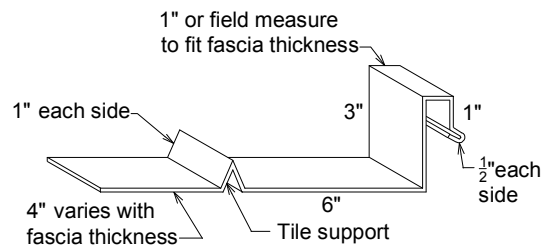


FIGURE 2. STANDARD FLASHINGS FOR HIGH BARREL SPANISH TILE

Available from manufacturer.

NOTES:

A. Shop drawings and designs are available for special applications.

B. Lap flashings a minimum of 4" for slopes 4:12 and above and 6" for slopes below 4:12.

C. Secure flashings with ringshank nails compatible with flashing material. Do not nail at overlap.

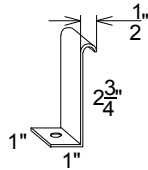
D. Abbreviations are used in item descriptions on the packing list and abbreviations & color codes are used on the VHR roof plan.

E. 16 or 20 oz. Copper, Lead Coated Copper, Terne Coated Stainless Steel, 24 Ga. G90 Kynar 500 pre-finished colored steel, 26-24 Ga. G90 galvanized sheet steel or .027 Aluminum can be used for all flashings.

F. Where soldering is required, be sure to use rosin paper between the flashing and a special heat resistant underlayment. Neutralize flux once joints are cool.

2j. HURRICANE CLIP

Along the eave in areas subject to extreme wind conditions. (20 oz copper)
CLIP HRCN EAV (VR320225)

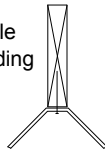


2k. HIP/RIDGE NAILER

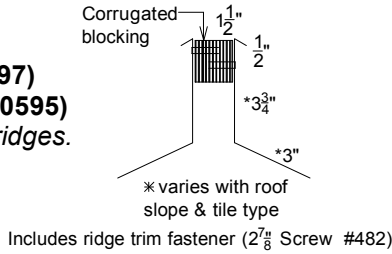
On non-vented hips and ridges.
 (26 Ga Galv)

NAILER, HIP (H) (VR330573)
NAILER, RIDGE(R) (VR330575)

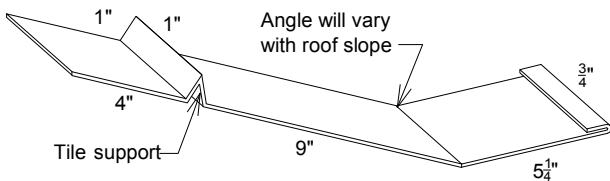
Height and angle will vary depending on roof slope



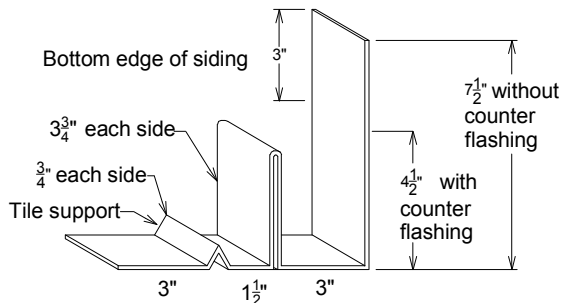
2L. HIP VENT (VR340597)
RIDGE VENT (VR340595)
 On vented hips and ridges.
 (26 Ga Galv)



2m. SADDLE HALF VALLEY FLASHING
 (21" girth) For saddles with tile on one side.
SDDL HALF VLLY (VR320347)
 (SHV-Light Purple)



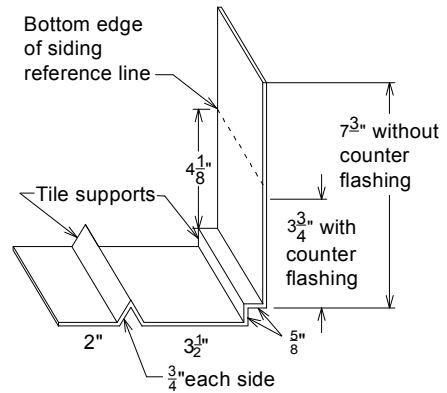
2n. SIDE SADDLE CHANNEL FLASHING
 (21"-24" girth)
 Along sides of chimneys, skylights or curbs with saddles.
SD SDDL CH (21"-VR320109, 24"-VR320222)
 (SSC-Light Blue)



2o. SIDEWALL FLASHING (12"-16" girth)

Along walls, skylights, chimneys or curbs without saddles.

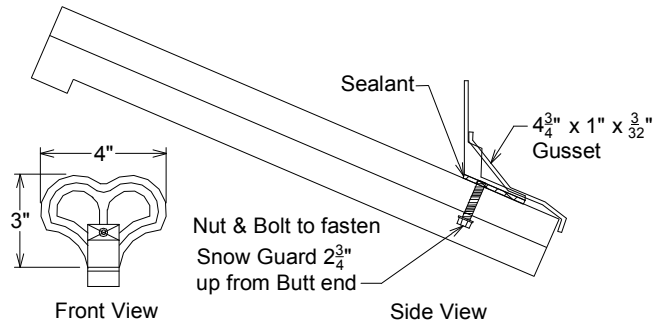
SD WL 12" (VR320197) 16" (VR320085) (SW-Orange)



2p. SNOW GUARD (DECORATIVE)

For snow areas. (Copper)

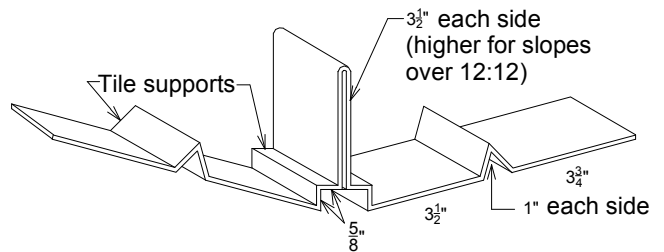
SNW GRD DCRTV (VR320598)



2q. CLOSED VALLEY FLASHING (28" girth)

For valleys in non-wooded areas or with slopes 12:12 and above.

VLLY (VR320072) (V-Purple)



2r. OPEN VALLEY FLASHING (24" girth)

Open grouted valleys in wooded areas and slopes below 12:12. Wider girth required for valleys over 30'.

VLLY OPEN (VR320171) (V-Purple)

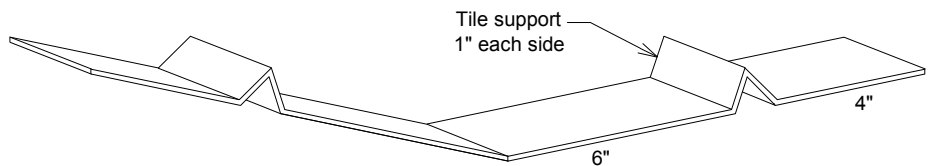
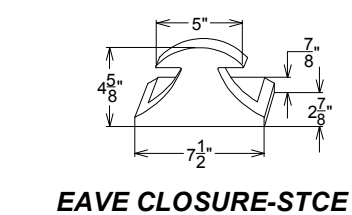
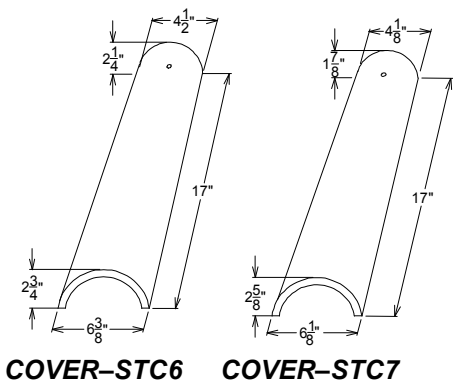
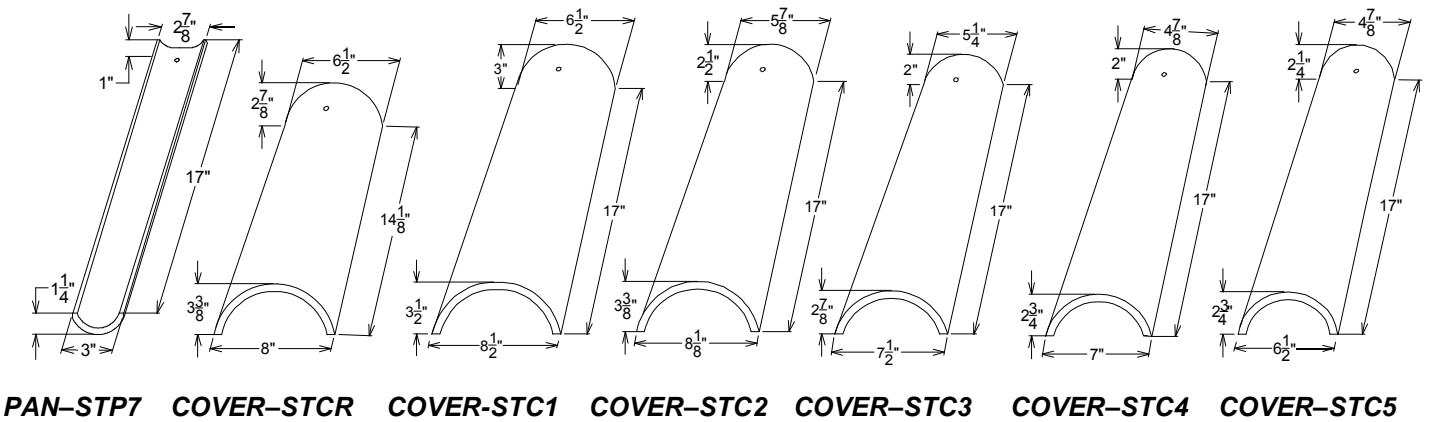
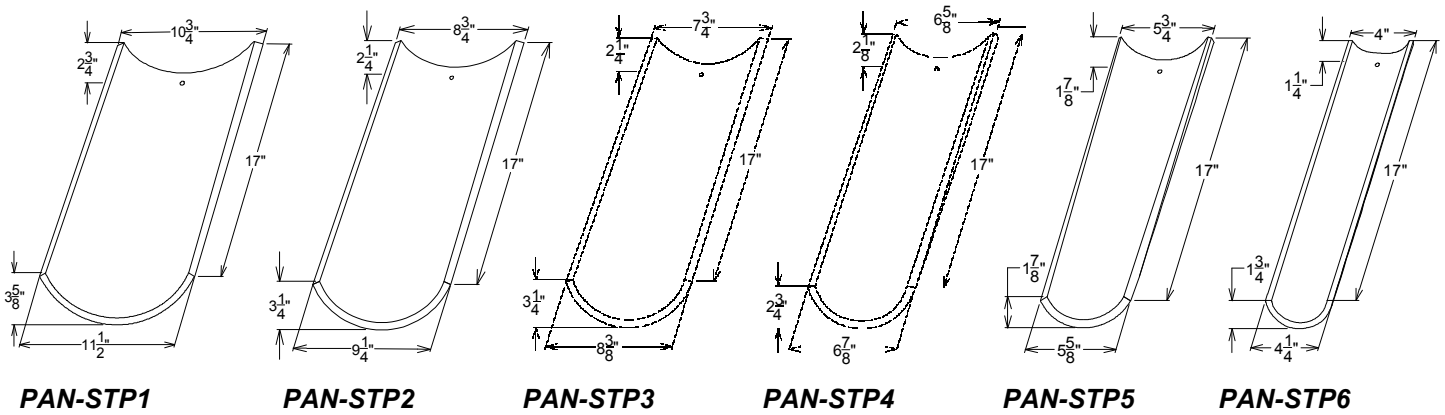


FIGURE 2 CONTINUED. STANDARD FLASHINGS FOR HIGH BARREL SPANISH TILE

Available from the manufacturer.

37. Spanish Turret Pans and Covers are available in several different sizes to accommodate round turrets. Installation specifications available upon request. (Figure 45)



INSTALLATION OF PANS



INSTALLATION OF COVERS

FIGURE 45. SPANISH TURRET PANS AND COVERS

BIDDING INFORMATION

_____ square (100 sq. ft.) of coverage requires the following:

- A. _____ field tile (14" x 12" exposure) (Adjust quantity of tile and weight on the roof if installing with less than 14" exposure.)
- B. 96 linear feet of 1" x 2" batten strips.
- C. 1 ¼ lb. of 5d stainless steel nails for battens.
- D. 1 ½" stainless steel nails for field tile (amount will vary with slope of roof).
- E. One 3½ gallon pail roofing mastic for every 50 pieces of ridge/hip trim at laps, 9 pieces of hip trim if the hips are not grouted.
- F. Adhesive for rakes (9 rake pieces require one 10.5 oz tube of adhesive).

ARCHITECTURAL SPECIFICATIONS

1. Field tile shall be Vande Hey Raleigh High Barrel Spanish style concrete roof tiles as manufactured by Vande Hey Raleigh Roof Tile manufacturing, Inc. Color shall be _____ (Insert color or price group A – K. See price list.) Tile surface shall be _____ (smooth; brushed). Trim tile to match color and style of field tile.
2. Field tile shall have a maximum exposure of 14" x 12" with 3¼" head lap.
3. Tile shall be laid in a _____ (straight; half joint) pattern.
4. Contractor to submit sample to architect for style and color verification prior to shipment.
5. Installation shall be in accordance with _____ (city; state; etc.) building codes which requires a Class ____ (A; B; C; N/A) fire rated system and according to manufacturer's specifications.
6. Valleys shall be laid _____ (closed; open and grouted).
7. Tile along hips shall be sealed with _____ (flashing; mastic; colored grout) weather block.
8. Exposed side/edges of tile at gables shall be covered with _____ (rake trim; gable flashing; colored grout).
9. Fasteners shall be _____ (copper; stainless). See Paragraph 39.
10. Underlayment shall be _____. See Paragraph 38-E.
11. Battens shall be _____ (notched 16" O.C. pressure treated 1x2's; pressure treated 1x3's/1x4's with counter batten system _____ (under; over) underlayment).
12. Flashings (see pages 5-6) shall be _____ (16 oz. copper; 20 oz. copper; terne coated stainless steel; 24 Ga. G90 Kynar 500 prefinished colored steel; 26-24 Ga. G90 galvanized sheet steel; .027 colored aluminum; lead coated copper or 3# lead if environmentally acceptable) _ _____ (color of steel/aluminum).
13. Venting shall be _____ (ridge/hip/headwall; tile gravity; power vents).
14. Special installation procedures apply for slopes below 3:12 in the sunbelt and 4:12 in severe weather areas:
Yes/No. Snow guards required: Yes/No.
15. Specifications required for _____ mph winds. Specifications required for roof heights over 40 feet: Yes/No.
16. Quality Assurance:
 - A. Work must be performed by a firm with not less than 5 years of successful experience and shall have installed a minimum of five (5) projects of at least ½ the size of this project within the last five years.
 - B. Complete quality materials package is available from Vande Hey Raleigh Roof Tile Mfg., Inc.**
 - C. Vande Hey Raleigh will arrange an instructor/technician for instruction or inspection to ensure proper installation. **COMPENSATION WILL BE REQUIRED.**
17. Warranty
 - A. Provide a 50 year limited written warranty from the manufacturer.
 - B. Material and workmanship shall also be guaranteed by the installation contractor for 3 years (residential) or 5 years (commercial) from the date of substantial completion.